

Web based RFID PIN Controller

Site Security, Access Control and Time Attendance



- ▶ IP 65 Rating Weather Proof.
- ▶ Multiple card types support (EM / Mifare standart).
- ▶ Cost-Effective door controller solution.
- ▶ Flexible TCP/IP or RS485 wiring plan solution provided.

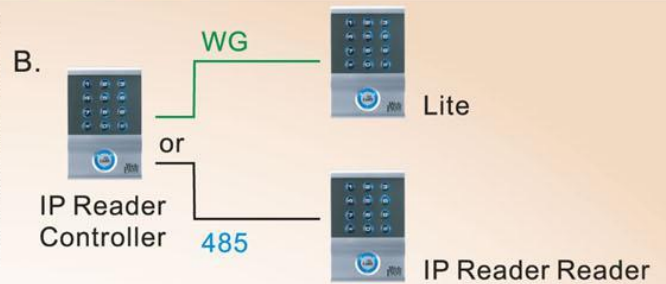
WEBPASS IP Reader

Specification :

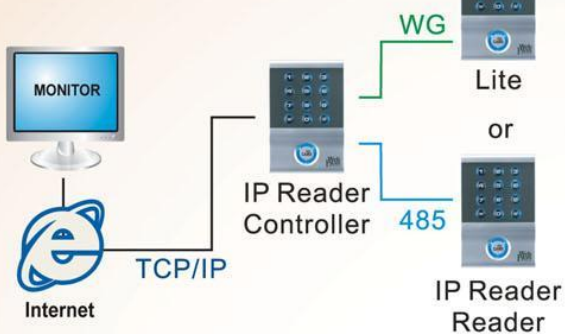
- ▶ Image capture (IP camera required)
- ▶ Controller, sub-controller and dummy reader types
- ▶ Built-in control contact setting/ relay box/ Input & Output device
- ▶ Card Capacity: 20,000 Users
- ▶ Log data: 65,535 entries
- ▶ SOMAC software
- ▶ Special Anti Pass Back design
- ▶ 255 Time Sets/ 120 Time Zones/ 255 Groups/ 100 Holidays
- ▶ IP-7131/ 7133/ 7330, ACM/ TCM serials: web camera
- ▶ WE1612H: DVR
- ▶ E-mail Alarm sending on time and Surveillances functions
- ▶ Operation Temperature: 0°C ~ 70°C
- ▶ Operation Humidity: 30% ~ 90% (RH)
- ▶ Power: 9~24VDC/1A
- ▶ Dimension: 120 X 80 X 25 (mm)/ 150 g.

Configurations :

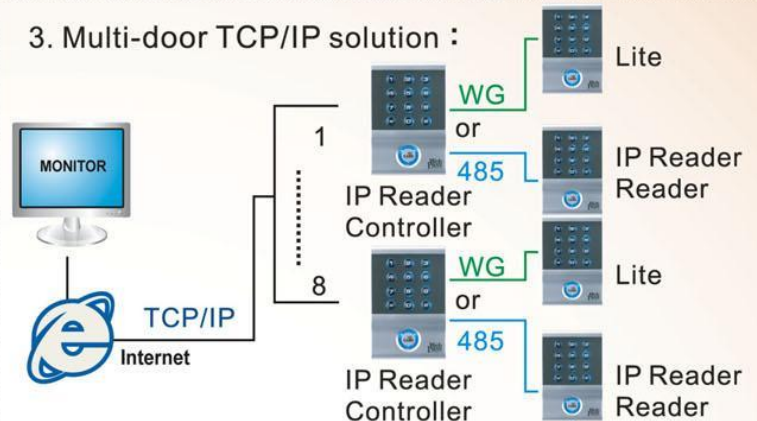
1. Standalone solution :



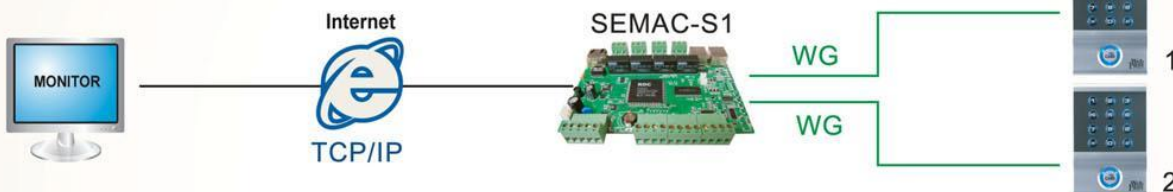
2. Single-door TCP/IP solution :



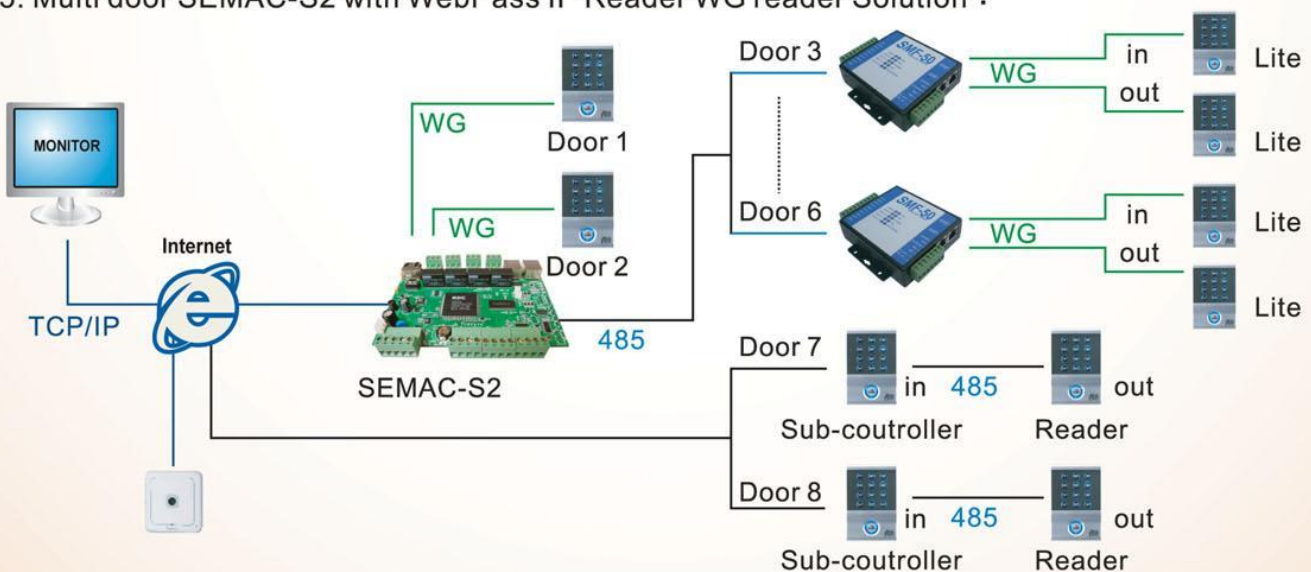
3. Multi-door TCP/IP solution :



4. Single door SMEAC-S1 with WebPass IP Reader WG reader solution :



5. Multi door SEMAC-S2 with WebPass IP Reader WG reader Solution :



Model	Type	Application
WEBPASS IP Reader	E : EM M : Mifare Others	Standalone/ Single Door-Bidirectional/ Multi-door